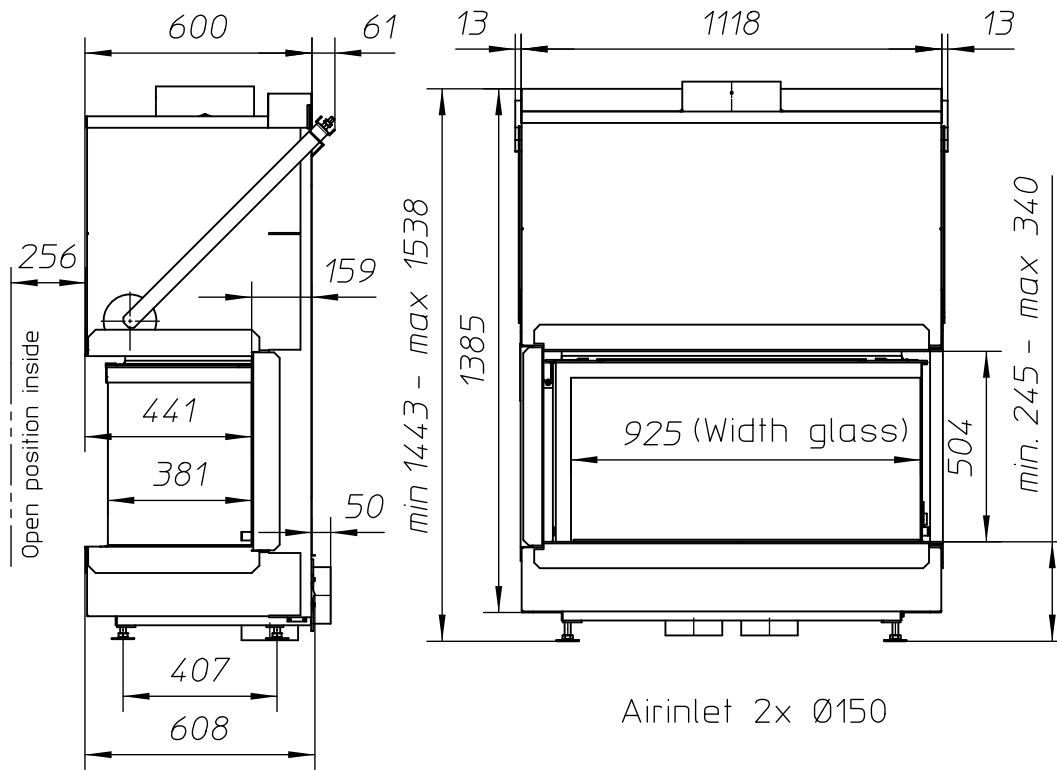
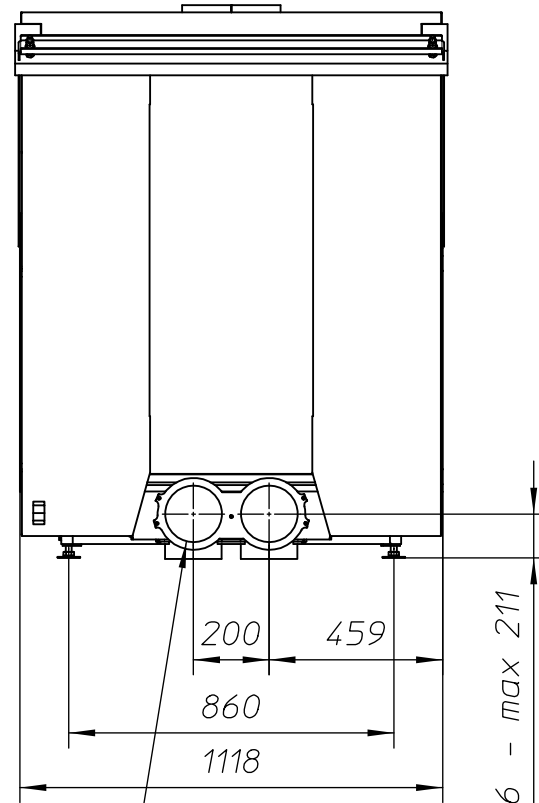


Standard configuration is with 4mm frame

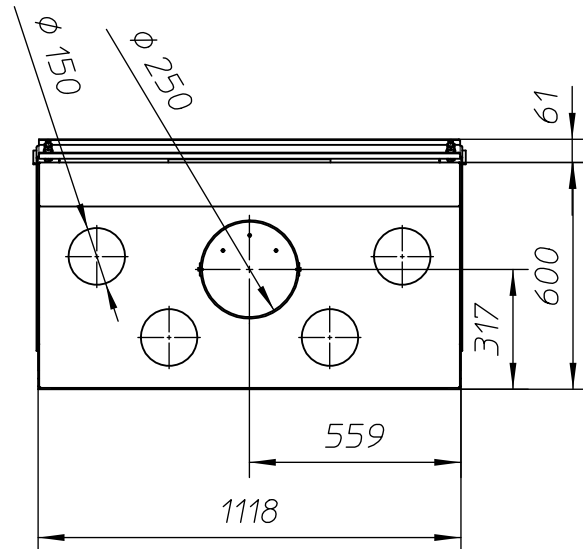
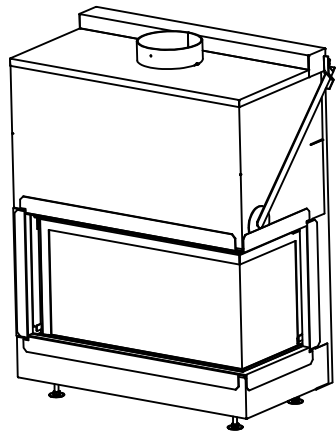


Airinlet 2x Ø150



Airinlet 2x Ø150

min 116 - max 211



ULTIME D Patented

metalfire

Technical Document

ULTIME D MF 1050-50 WHE 2SR V20

Dimensions (mm)

- combustion opening WxHxD: 1056x441x504
- external WxDxH: 1118x600x1443
- fresh air: 2xØ150
- diameter flue: Ø250

Technical Data

- Ecolabel: A+
- capacity: 19kW
- efficiency capacity: 84%
- CO (volume with 13%O₂): 0.072%
- dust (volume with 13%O₂): 29,5mg/Nm³
- weight: 320kg
- Air intake to convection: minimum 720cm²(4xØ150)
- Air exhaust to convection: minimum 720cm²(4xØ150)

Specifications

- inside finishing: heat-resistant black paint
- vermiculite insulation plates
- convection jacket in galvanized steel
- back and sides: ribbed cast iron
- interior finishing: ORIGINAL (ribbed cast iron)

Options

- Finishing frame

Table: prescribed insulation thickness (mm)

Combustible finishing material				
	A	B	C	D
Test report (TC = 0,14 W/mK)	25	25	25	25
Non-combustable finishing material				
non-combustable materials (structural building items EXCLUDED e.g. load bearing walls)	0	0	0	0

TC = thermal conductivity NC = non-combustable

First aid and technical support:

- support@metalfire.eu
- +32 (0)9 261 50 57

scale 1:20

Rev. -1

www.metalfire.eu

EN 13229

CE

General dimensional tolerances up to 6mm
Metalfire preserves the right to modify specifications without previous notice

Sheet 1/3

ULTIME D Patented

metalfire

Technical Document

ULTIME D MF 1050-50 WHE 2SR V20

Dimensions (mm)

- combustion opening WxHxD: 1056x441x504
- external WxDxH: 1118x600x1443
- fresh air: 2xØ150
- diameter flue: Ø250

Technical Data

- Ecolabel: A+
- capacity: 19kW
- efficiency capacity: 84%
- CO (volume with 13%O₂): 0.072%
- dust (volume with 13%O₂): 29.5mg/Nm³
- weight: 320kg
- Air intake to convection: minimum 720cm² (4xØ150)
- Air exhaust to convection: minimum 720cm² (4xØ150)

Specifications

- inside finishing: heat-resistant black paint
- vermiculite insulation plates
- convection jacket in galvanized steel
- back and sides: ribbed cast iron
- interior finishing: ORIGINAL (ribbed cast iron)

Options

- Finishing frame

Table: prescribed insulation thickness (mm)

Combustible finishing material				
	A	B	C	D
Test report (TC = 0,14 W/mK)	25	25	25	25
Non-combustible finishing material				
non-combustible materials structural building items EXCLUDED e.g. load bearing walls	0	0	0	0
TC = thermal conductivity NC = non-combustible				

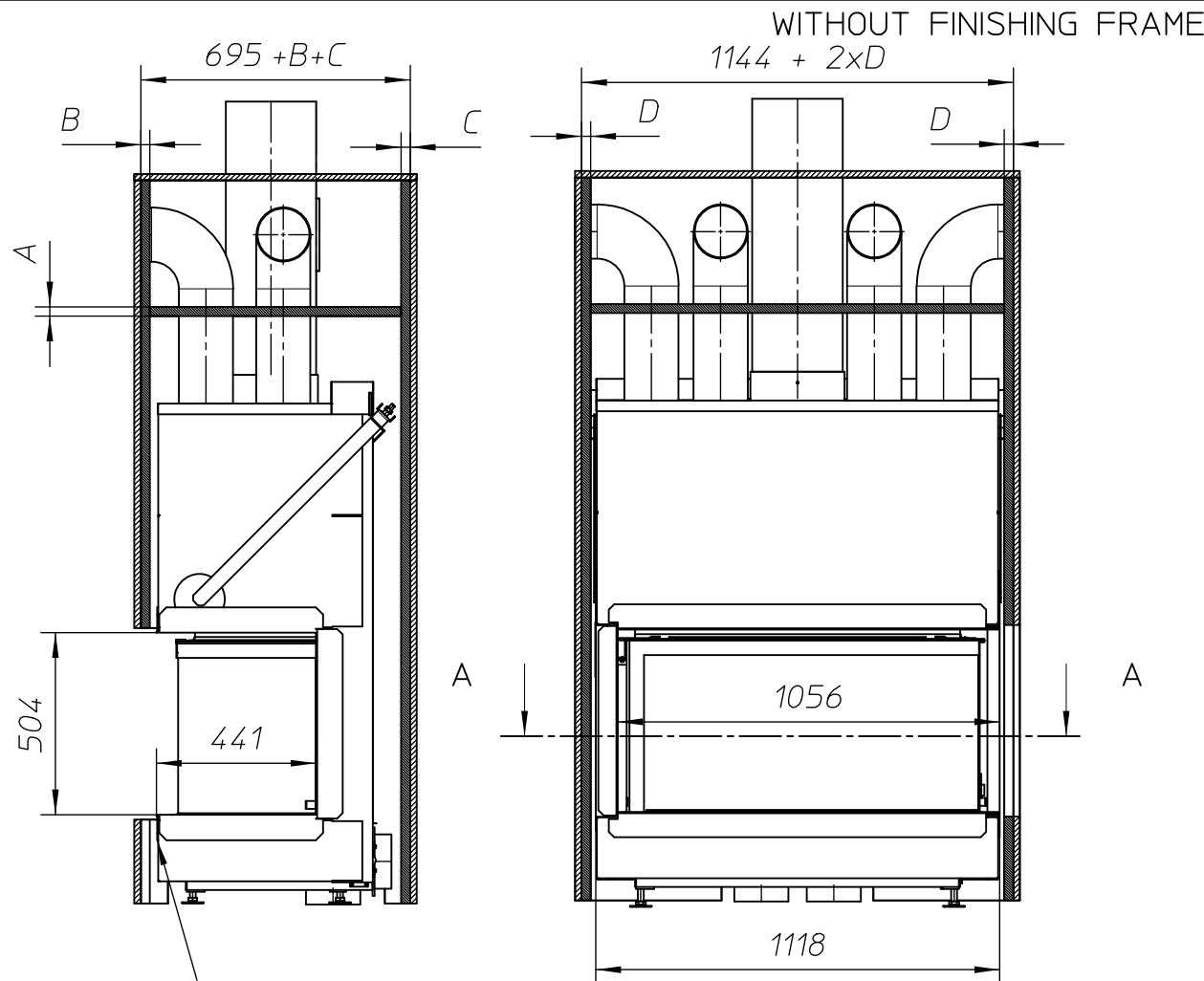
First aid and technical support:

- support@metalfire.eu
- +32 (0)9 261 50 57

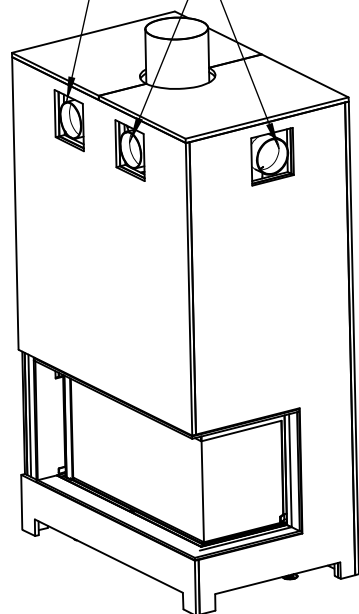
scale 1:20 Rev. -1

www.metalfire.eu EN 13229 C€

General dimensional tolerances up to 6mm Sheet 2/3
 Metalfire preserves the right to modify specifications without previous notice



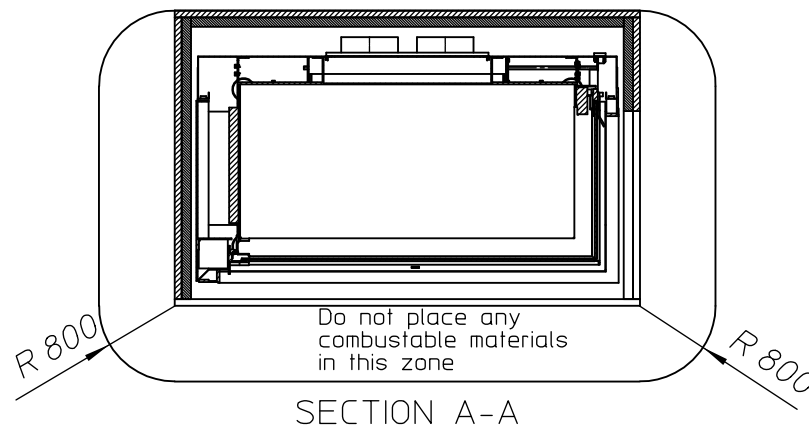
4 x heated convection air



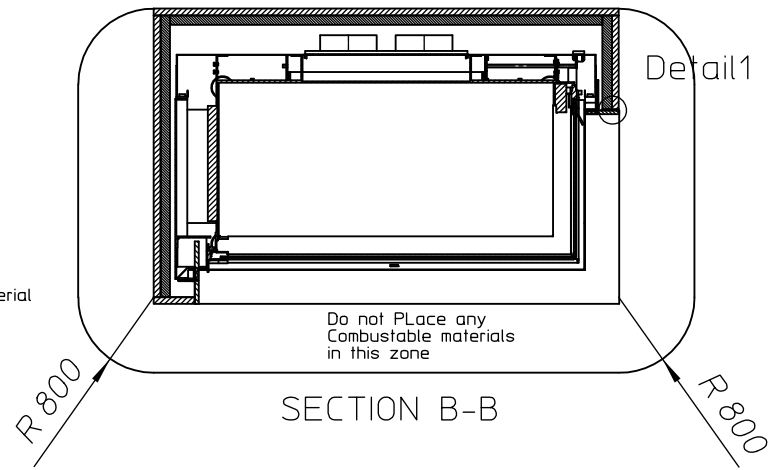
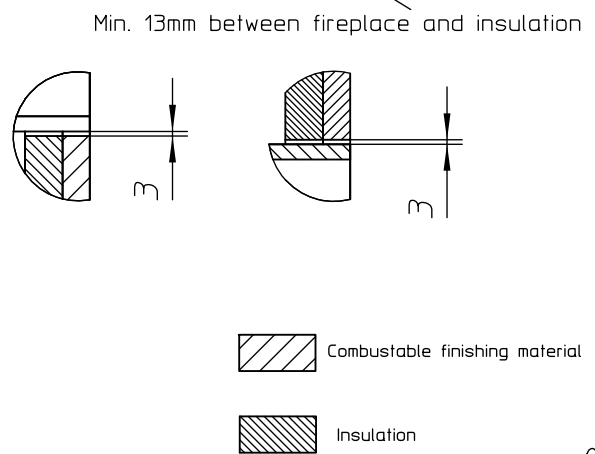
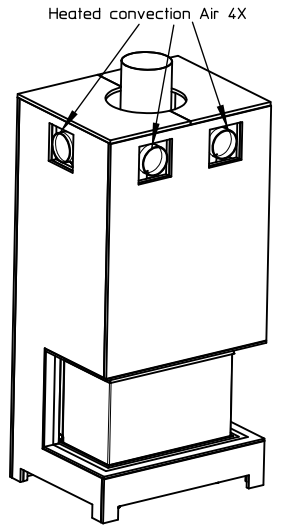
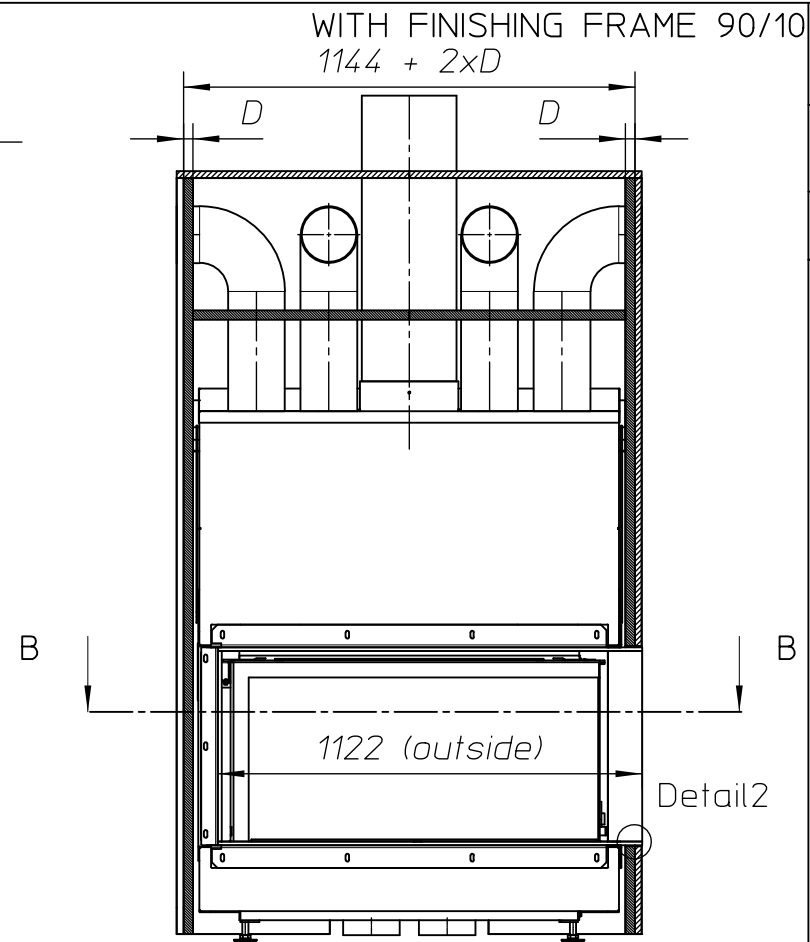
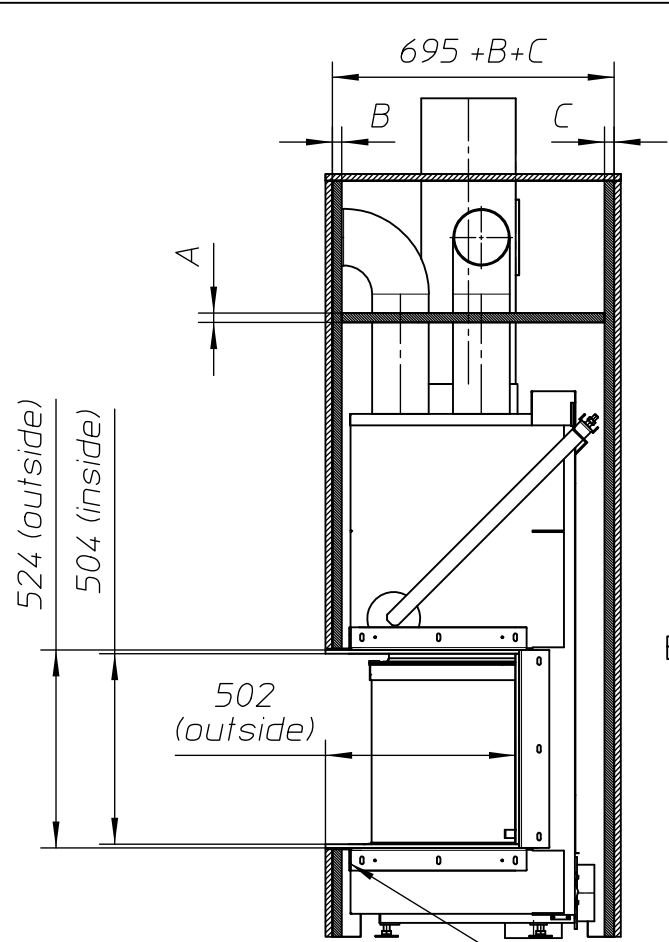
Scale 1:30

noitolueni bnd ecpolqrit nreestd mmEt .niM

- Combustible finishing material
- Insulation



SECTION A-A



ULTIME D Patented

metalfire

Technical Document

ULTIME D MF 1050-50 WHE 2SR V20

Dimensions (mm)

- combustion opening WxHxD: 1056x441x504
- external WxDxH: 1118x600x1443
- fresh air: 2xØ150
- diameter flue: Ø250

Technical Data

- Ecolabel: A+
- capacity: 19kW
- efficiency capacity: 84%
- CO (volume with 13%O₂): 0.072%
- dust (volume with 13%O₂): 29,5mg/Nm³
- weight: 320kg

- Air intake to convection: minimum 720cm² (4xØ150)
- Air exhaust to convection: minimum 720cm² (4xØ150)

- Specifications
- inside finishing: heat-resistant black paint
 - vermiculite insulation plates
 - convection jacket in galvanized steel
 - back and sides: ribbed cast iron
 - interior finishing: ORIGINAL (ribbed cast iron)

- Options
- Finishing frame

Table: prescribed insulation thickness (mm)

Test report (TC = 0,14 W/mK)	Combustible finishing material			
	A	B	C	D
	25	25	25	25

non-combustible materials (structural building items EXCLUDED e.g. load bearing walls)	Non-combustible finishing material			
	A	B	C	D
	0	0	0	0

TC = thermal conductivity NC = non-combustible

First aid and technical support:
 - support@metalfire.eu
 - +32 (0)9 261 50 57

scale 1:20 Rev. -1

www.metalfire.eu EN 13229 CE

General dimensional tolerances up to 6mm Sheet 3/3
 Metalfire preserves the right to modify specifications without previous notice